

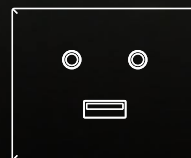
# AJP

## DESCRIPTION

The Audio Jack Panel is designed for AlsterAero's PCU models. It allows for convenient placement of audio and USB sockets in the seat.

The connectors comprise standard analog audio input and output via 3.5mm jacks. The audio input can be used with a headset to turn the PCU into a cabin phone.

The USB allows for playback of audio files on a USB stick via the IFE system.

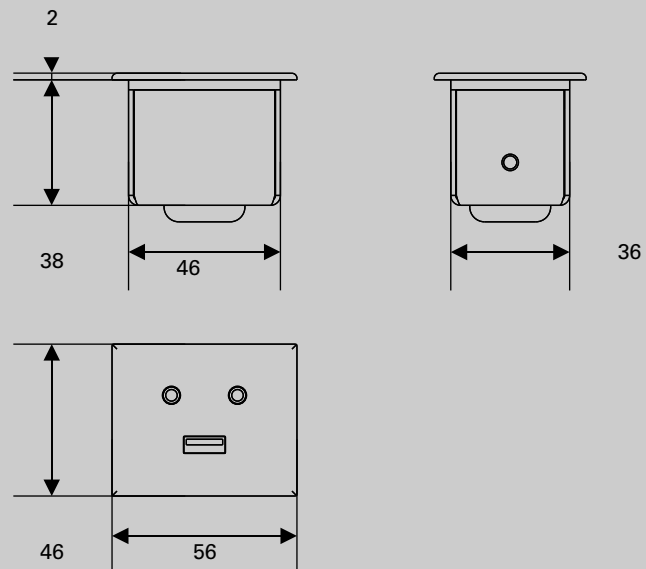


## FEATURES

- Designed for convenient placement of PCU connectors
- Audio output from PCU via 3.5mm jack
- Audio input to PCU via 3.5mm jack
- USB for playback of passenger's Mp3 files
- Customizable metal surface
- Customizable icons for connector identification

## OUTLINE DRAWING

dimensions are millimeter (mm)



## QUALIFICATION

- DO160E

## CONTACT

AlsterAero GmbH  
Lübecker Straße 1  
22087 Hamburg  
Germany



**phone** : +49 (0) 40 2482712 - 0  
**fax** : +49 (0) 40 2482712 - 22

**email**: info@alsteraero.com  
**web**: www.alsteraero.com