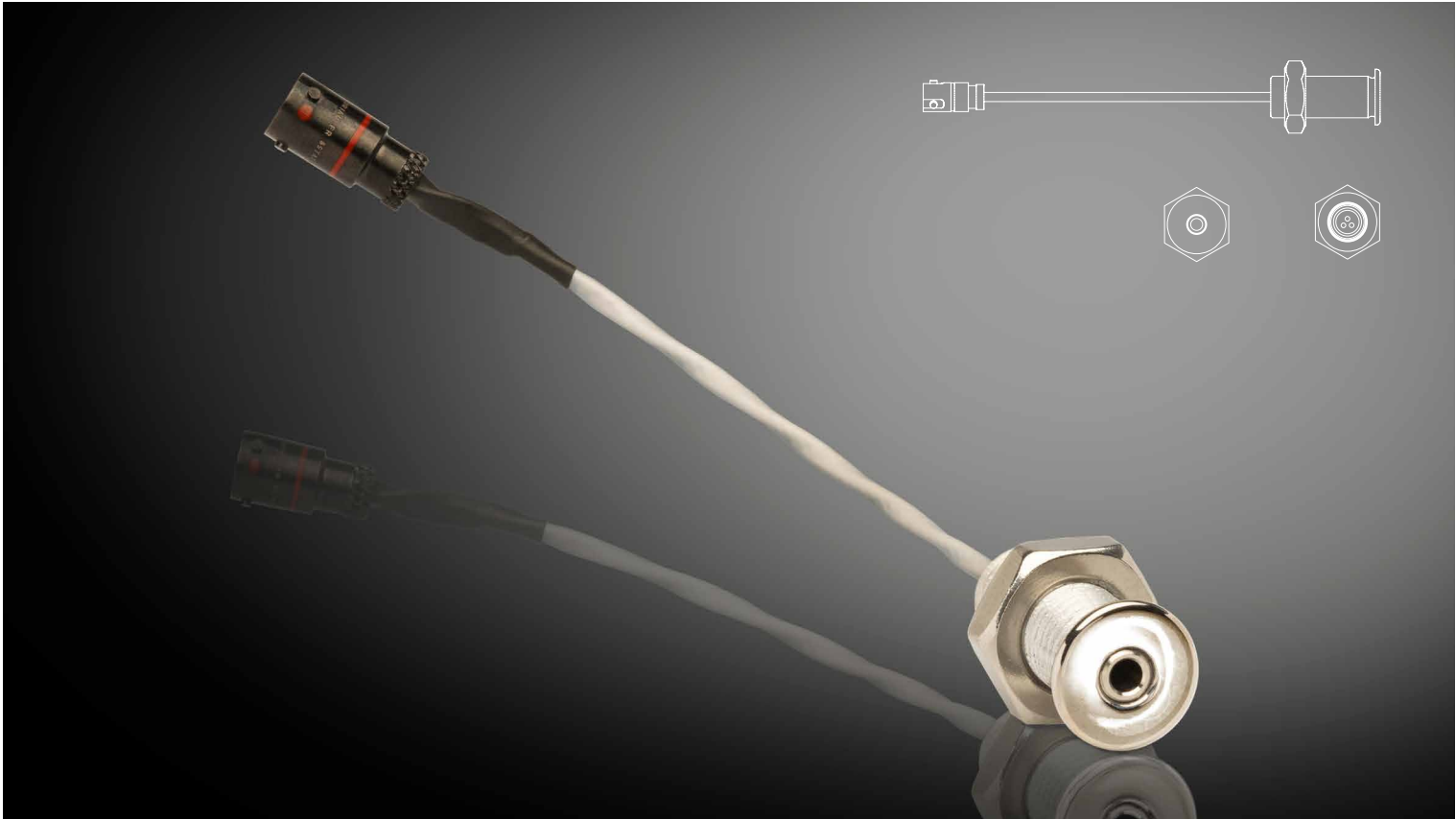


HJP

DESCRIPTION

Headphone Jack Panel

The HJP is a beautiful connector panel providing a 3.5mm stereo jack for attaching passenger audio equipment to multimedia IFE controllers.

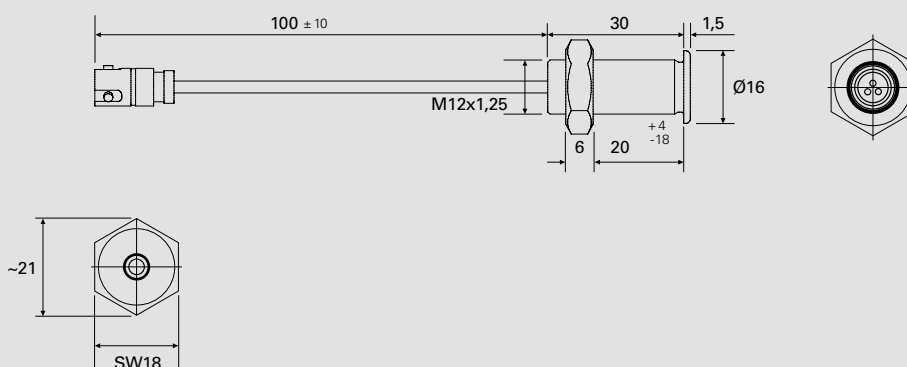


FEATURES

- compact size
- 3.5mm stereo audio jack
- different plating options available for bezel
- easy to install mounting hardware

OUTLINE DRAWING

dimensions are millimeter (mm)



QUALIFICATION

- DO160

CONTACT

AlsterAero GmbH
Heidenkampsweg 43
20097 Hamburg
Germany

phone : +49 (0) 40 2482712-0
fax : +49 (0) 40 2482712-22



email : info@alsteraero.com
web : www.alsteraero.com