

LDU

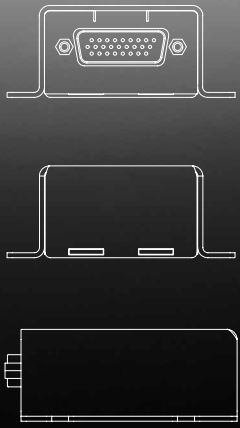
DESCRIPTION

LED Light Dimmer Unit

The LDU provides individual dimming control for four 28VDC LED lamps. It provides four 28VDC high-current PWM channels.

Each output channel is designed for a load of up to 1A @ 28VDC. The PWM frequency for all four channels is software configurable in the range of 30 up to 400 Hz.

The LDU is connected to CMS controllers via a TIA-485 bus interface.

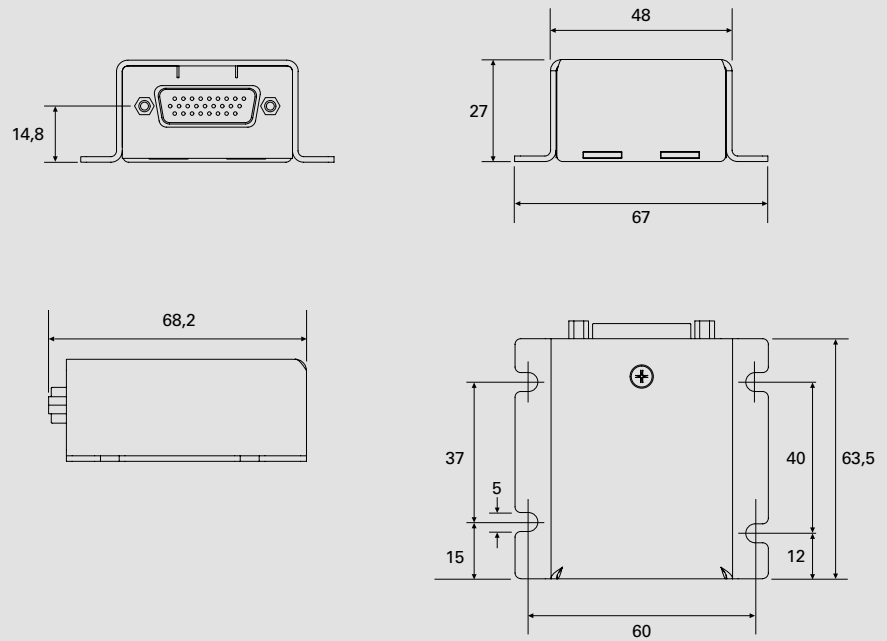


FEATURES

- compact size
- 28VDC supply 3W
- four independent 28VDC PWM channels, up to 1A each.
- configurable PWM frequency 30-400Hz
- RS-485 bus interface to CMS controllers.

OUTLINE DRAWING

dimensions are millimeter (mm)



QUALIFICATION

- DO160

CONTACT

AlsterAero GmbH
 Heidenkampsweg 43
 20097 Hamburg
 Germany



phone : +49 (0) 40 2482712-0
fax : +49 (0) 40 2482712-22

email : info@alsteraero.com
web : www.alsteraero.com