

TSP2

DESCRIPTION

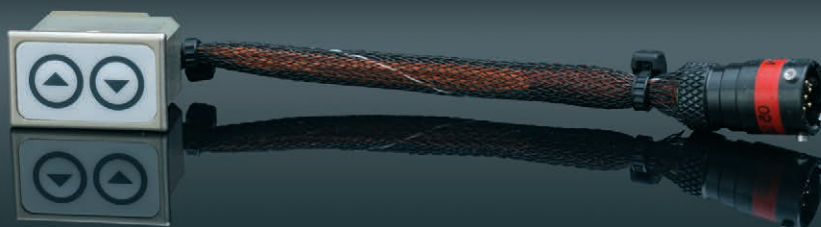
The Tiny Switch Panel with two keys is the smallest of AlsterAero's switch panel series.

The design permits integration to the smallest cut out, when reducing mounting space is of greatest importance.

When connected to AlsterAero's DCU3 discrete control unit, the keys can be backlit by white backlight. The DCU3 optionally serves as the external controller to the Cabin Management System.

In standalone mode the buttons switch 50mA rated contacts.

The high quality milled metal bezel can be coated to customer request, the keyboard foil symbols and colours can be adapted to the functionality required.

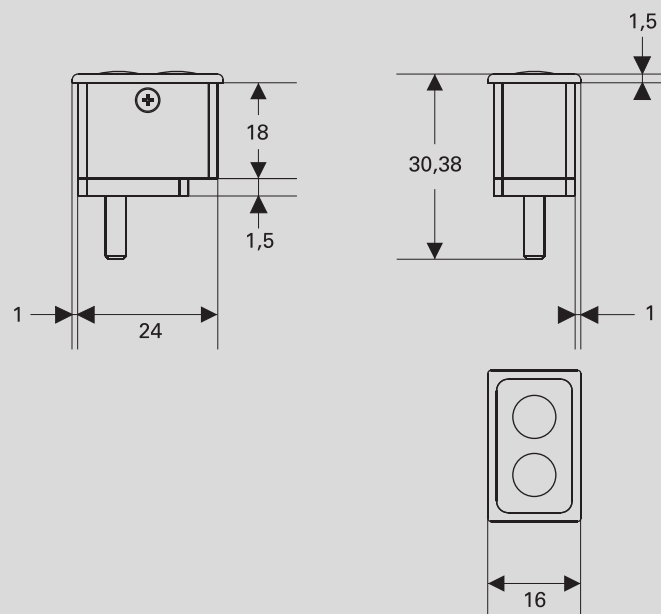


FEATURES

- two keys with click feedback
- white backlight when connected to DCU3 (other colours upon request)
- 50mA key pushbutton switch
- designed for interfacing to AlsterAero's DCU3
- high quality milled metal surface
- high quality surface treatment of customer's preference
- fully customizable keyboard foil, any RAL colour possible
- single mounting bolt

OUTLINE DRAWING

dimensions are millimeter (mm)



QUALIFICATION

- DO160

CONTACT

AlsterAero GmbH
Heidenkampsweg 43
20097 Hamburg
Germany

phone : +49 (0) 40 2482712 - 0
fax : +49 (0) 40 2482712 - 22



email : info@alsteraero.com
web : www.alsteraero.com